

# HYGROFLEX1



## THE INEXPENSIVE TRANSMITTER

### INNOVATION IN HUMIDITY AND TEMPERATURE MEASUREMENT

- Measures relative humidity and temperature
- Hygromer® IN-1 humidity sensor
- Adjustable at 35 % and 80 %RH
- Two freely scalable analog voltage or current outputs
- USB service interface
- Reduced dimensions
- Easy mechanical installation

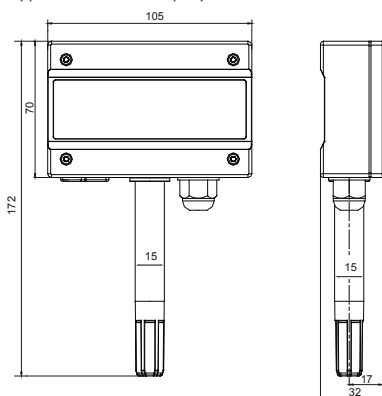


## TECHNICAL INFORMATION

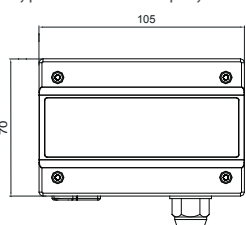
The HygroFlex1 series is the latest development in inexpensive HVAC transmitters for relative humidity and temperature. The devices are equipped with the tried-and-tested Hygromer® IN-1 sensor and boast unbeatable value for money. The optional ROTRONIC SW21 software enables you to scale, calibrate and adjust (only humidity) the transmitter.

### Dimensions

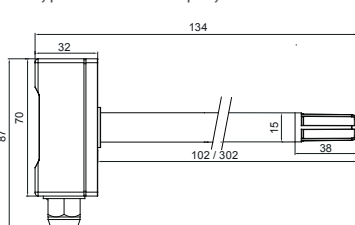
Wall version  
Type A with display  
Type W without display



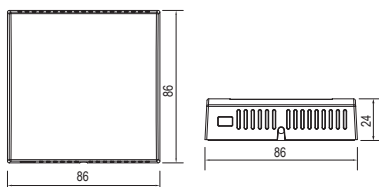
Duct version  
Probe length 100 mm  
Type B with display  
Type D without display



Probe length 300 mm  
Type E with display  
Type F without display



Space mount version  
Type S with display  
Type L without display



Would you like more information?

You can find a complete and up-to-date overview of the HygroFlex1 series on the internet at [www.rotronic.com](http://www.rotronic.com).

General	
Transmitter type	2-wire type: HF120 3/4 wire type: HF13x
Supply voltage	12...28 VAC / 15...40 VDC
Current consumption	2-wire type max. 40mA 3/4 wire type with voltage output: < 15 mA with current output: < 55 mA
Parameters	Humidity and/or temperature
Housing material / IP	ABS / IP65
Weight	Wall version type W and A: 140 g Duct version 100 mm type B and D: 140 g Duct version 300 mm type E and F: 200 g Space version type L and S: 90 g
Integrated sensors	Yes
Operating and measurement range	-20...50 °C / 0...100 %RH (non-condensing)
CE / EMC compatibility	2004/108/EC
Humidity measurement	
Humidity sensor	ROTRONIC Hygromer® IN-1
Accuracy at 23 °C ±5 K	<3 %RH (10...90 %RH)
Long-term stability	<1.5 %RH per year
Response time τ63	30 s (63 % of a jump 35...80 %RH) without filter
Temperature measurement	
Sensor	Thermistor
Standard temperature scale	0...50 °C or 0...100 °F
Accuracy at 23 °C ±5 K	± 0.3 °K (0...50 °C)
Response time	4 s
Outputs	
Number	Two freely scalable analog outputs
Current	4...20 mA
Voltage	0...1/5/10 VDC